

How To:

Fit A C Mount Lens...

...On A CS Mount Camera

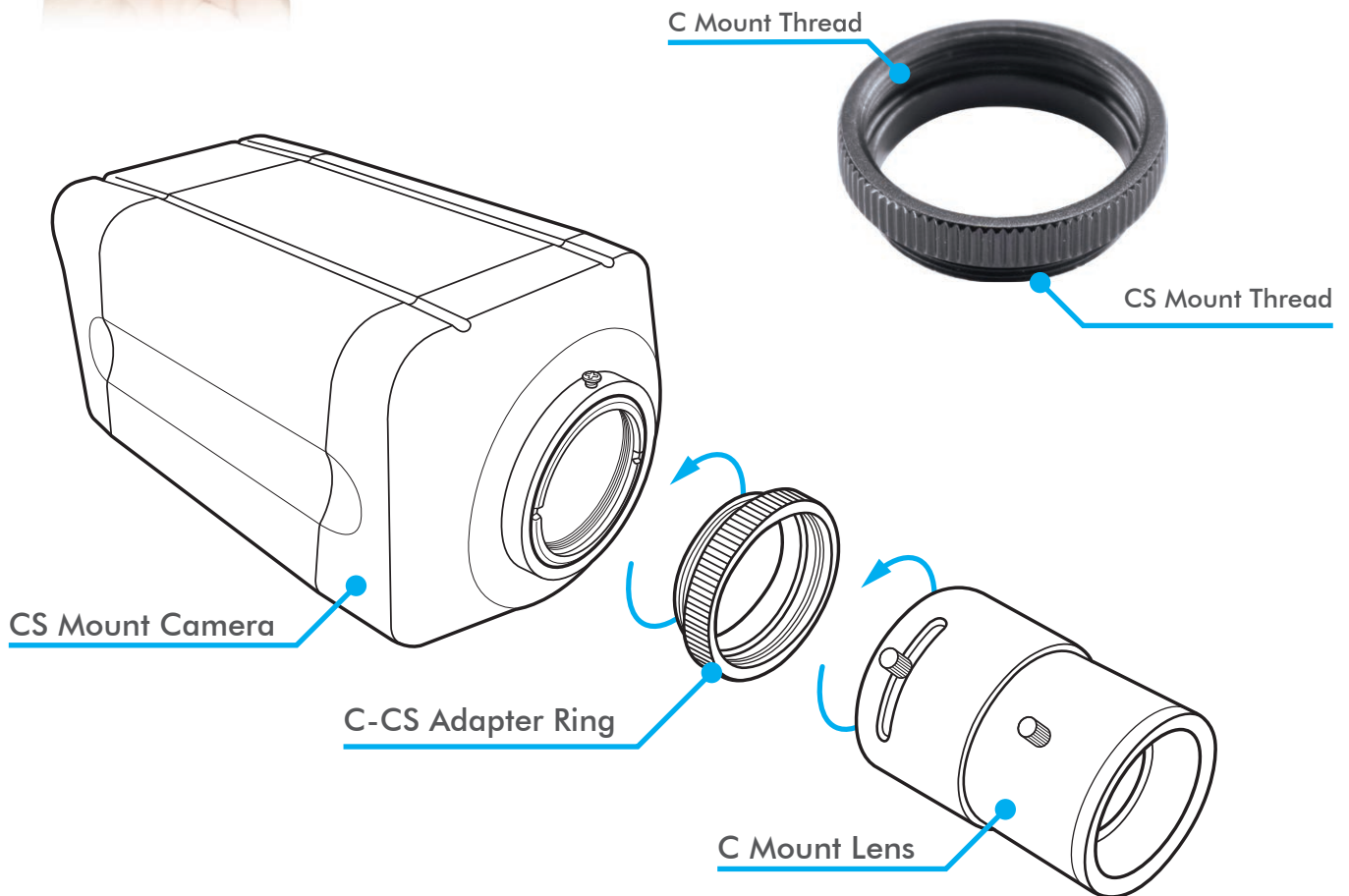


Most traditional style cameras are designed to work with the more popular CS mount lenses.

You can however still fit a C mount lens onto a CS mount camera using a C-CS adapter ring.

All of our traditional style NiteDevil cameras are supplied with a C-CS adapter ring as shown below.

C-CS Adapter Ring



Please Note

These "Technical Tips" help sheets aim to answer commonly asked questions in a concise and informative manner - they are for advice & guidance only and do not replace any of the manuals or other literature supplied with our products.

Last edited:
07/08/2014