



**Nite Devil**  
Sees in the Dark

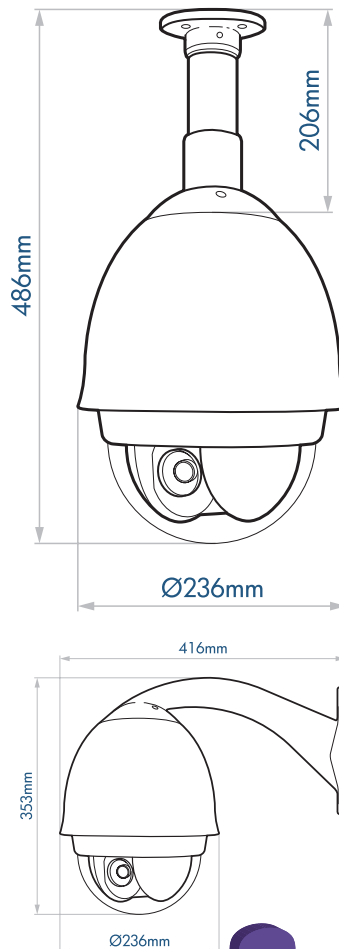
PTZ605P

The same great aesthetics as the standard range!  
But with all the extras...

### 600 Series Extras...

- ✓ 4 alarm inputs for PIR or break beam activation
- ✓ High Speed rotation - 360° in just over a second means you don't need to miss a thing and works great if alarm activated by a PIR
- ✓ Intelligent proportional panning to slow down when zoomed in you don't overshoot your subject
- ✓ 180° auto picture flip - great for keeping track of a suspect with no blind spot
- ✓ Mimic mode in addition to 6 tours - allows the user to "record" up to 4 patterns based in their own preferred controls of the keypad
- ✓ Superior belt driven mechanism for extra smooth movement and footage
- ✓ Privacy Masking

**PLUS** Free Smoked Cover (clear cover supplied as standard), Free PSU + Free Ceiling Bracket with all options.



### Features

- ✓ 64 Pre-sets
- ✓ 6 Tours
- ✓ 15°/sec Pan Speed
- ✓ Multi-Protocol
- ✓ Continuous Rotation
- ✓ Double Lined, metal head
- ✓ Unique Easy Fit System
- ✓ 24V AC 1.7A PSU Supplied
- ✓ Wide Dynamic Range

### Specification

- 1/4" Sony Colour
- 540TVL
- 1V p-p 75 ohm
- 0.0002 Lux
- Day/Night Function
- 24V AC
- 1.7 Amp
- IP66
- Pelco P & D
- Bracket Supplied
- Metal Construction
- 36 x IR sensitive Zoom
- 64 Presets
- 6 Tours
- 15°sec Pan speed
- H353mm x Ø 236mm x 416mm from wall

### Options Available

PART CODE	DESCRIPTION
PTZ605K	500TVL 27x Zoom Silver
PTZ605P	540TVL 36x Zoom WDR Silver
PTZ608K	500TVL 27x Zoom Ivory
PTZ608P	540TVL 36x Zoom WDR Ivory

### Other Products To Consider



Pole Mount Bracket  
PTZ602

Visit the user friendly site:  
[www.nitedevil.com](http://www.nitedevil.com)

For more information on IR Lighting Explained  
see the online tip 257 at [nitedevil.com](http://nitedevil.com)



All specifications are approximate. NiteDevil.com reserves the right to change any product specifications or features without notice. Whilst every effort is made to ensure that these instructions are complete and accurate, NiteDevil.com cannot be held responsible in any way for any losses, no matter how they arise, from errors or omissions in these instructions, or the performance or non-performance of the equipment that these instructions refer to.